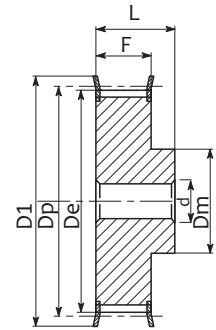


# ZUPČASTE REMENICE

## H 075 - ½" (12,75 mm) - Širina kaiša 19,05

Oznaka	Broj zuba	Tip	Dp	De	Df	Dm	Di	F	L	d	Težina kg	Cena €/kom
H075, z=14	14	6F	56,60	55,22	64,0	40	/	26,4	40	8	0,59	5.69
H075, z=15	15	6F	60,64	59,27	66,5	45	/	26,4	40	8	0,65	6.55
H075, z=16	16	6F	64,68	63,31	70,0	45	/	26,4	40	8	0,70	7.36
H075, z=17	17	6F	68,72	67,35	75,0	45	/	26,4	40	8	0,73	7.61
H075, z=18	18	6F	72,77	71,39	79,0	55	/	26,4	40	11	0,91	8.53
H075, z=19	19	6F	76,81	75,44	82,5	60	/	26,4	40	11	1,08	9.65
H075, z=20	20	6F	80,85	79,48	87,0	62	/	26,4	40	11	1,18	10.44
H075, z=21	21	6F	84,89	83,52	91,0	65	/	26,4	40	11	1,30	11.65
H075, z=22	22	6F	88,94	87,56	94,0	68	/	26,4	40	11	1,42	12.06
H075, z=23	23	6F	92,98	91,61	97,0	72	/	26,4	40	11	1,67	13.12
H075, z=24	24	6F	97,02	95,65	102,0	72	/	26,4	40	11	1,71	14.33
H075, z=25	25	6F	101,06	99,69	106,0	72	/	26,4	40	11	1,87	15.55
H075, z=26	26	6F	105,11	103,73	112,0	80	/	26,4	40	11	2,00	17.08
H075, z=27	27	6F	109,15	107,78	115,0	80	/	26,4	40	11	2,10	17.40
H075, z=28	28	6F	113,19	111,82	120,0	80	/	26,4	40	11	2,26	18.72
H075, z=29	29	6F	117,23	115,86	120,0	80	/	26,4	40	11	2,49	20.14
H075, z=30	30	6F	121,28	119,90	128,0	80	/	26,4	40	11	2,70	21.44
H075, z=32	32	6F	129,36	127,99	135,0	80	/	26,4	40	11	2,85	25.27
H075, z=33	33	6F	133,40	132,03	142,0	80	/	26,4	40	11	3,10	26.32
H075, z=34	34	6F	137,45	136,07	142,0	80	/	26,4	40	11	3,3	26.68
H075, z=35	35	6F	141,49	140,12	150,0	80	/	26,4	40	11	3,50	29.97
H075, z=36	36	6F	145,53	144,16	150,0	80	/	26,4	40	11	3,65	30.13
H075, z=38	38	6F	153,62	152,24	158,0	80	/	26,4	40	11	3,90	34.02
H075, z=40	40	6F	161,70	160,33	168,0	80	/	26,4	40	11	4,23	38.20



Tip 6F

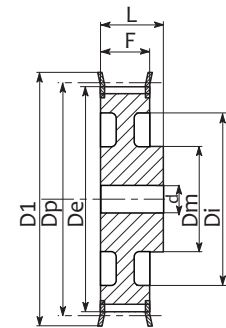
## H 100 - ½" (12,75 mm) - Širina kaiša 25,40

Oznaka	Broj zuba	Tip	Dp	De	Df	Dm	Di	F	L	d	Težina kg	Cena €/kom
H100, z=14	14	6F	56,60	55,22	64,0	40	/	31,8	45	11	0,67	6.34
H100, z=15	15	6F	60,64	59,27	66,5	45	/	31,8	45	11	0,77	7.07
H100, z=16	16	6F	64,68	63,31	70,0	45	/	31,8	45	11	0,88	7.96
H100, z=17	17	6F	68,72	67,35	75,0	45	/	31,8	45	11	0,88	8.32
H100, z=18	18	6F	72,77	71,39	79,0	55	/	31,8	45	14	1,06	9.23
H100, z=19	19	6F	76,81	75,44	82,5	60	/	31,8	45	14	1,23	10.53
H100, z=20	20	6F	80,85	79,48	87,0	62	/	31,8	45	14	1,33	11.43
H100, z=21	21	6F	84,89	83,52	91,0	65	/	31,8	45	14	1,43	12.74
H100, z=22	22	6F	88,94	87,56	94,0	68	/	31,8	45	14	1,63	13.07
H100, z=23	23	6F	92,98	91,61	97,0	72	/	31,8	45	14	1,85	14.42
H100, z=24	24	6F	97,02	95,65	102,0	72	/	31,8	45	14	1,93	15.75
H100, z=25	25	6F	101,06	99,69	106,0	72	/	31,8	45	14	2,07	16.99
H100, z=26	26	6F	105,11	103,73	112,0	80	/	31,8	45	14	2,30	18.81
H100, z=27	27	6F	109,15	107,78	115,0	80	/	31,8	45	14	2,40	19.19
H100, z=28	28	6F	113,19	111,82	120,0	80	/	31,8	45	14	2,53	20.68
H100, z=29	29	6F	117,23	115,86	120,0	80	/	31,8	45	14	2,70	22.25
H100, z=30	30	6F	121,28	119,90	128,0	80	/	31,8	45	14	2,93	23.47
H100, z=32	32	6F	129,36	127,99	135,0	80	/	31,8	45	14	3,06	28.26
H100, z=33	33	6F	133,40	132,03	142,0	80	/	31,8	45	14	3,40	29.14
H100, z=34	34	6F	137,45	136,07	142,0	80	/	31,8	45	14	3,57	26.52
H100, z=35	35	6F	141,49	140,12	150,0	80	/	31,8	45	14	3,80	33.17
H100, z=36	36	6WF	145,53	144,16	150,0	80	118	31,8	45	14	3,92	33.53
H100, z=38	38	6WF	153,62	152,24	158,0	80	123	31,8	45	14	4,40	35.60
H100, z=40	40	6WF	161,70	160,33	168,0	80	134	31,8	45	14	4,95	39.60



## H 150 - ½" (12,75 mm) - Širina kaiša 38,10

Oznaka	Broj zuba	Tip	Dp	De	Df	Dm	Di	F	L	d	Težina kg	Cena €/kom
H150, z=14	14	6F	56,60	55,22	64,0	40	/	46,0	58	11	0,91	7.78
H150, z=15	15	6F	60,64	59,27	66,5	45	/	46,0	58	11	0,99	8.80
H150, z=16	16	6F	64,68	63,31	70,0	45	/	46,0	58	11	1,08	9.97
H150, z=17	17	6F	68,72	67,35	75,0	45	/	46,0	58	11	1,15	10.39
H150, z=18	18	6F	72,77	71,39	79,0	55	/	46,0	58	14	1,45	11.65
H150, z=19	19	6F	76,81	75,44	82,5	60	/	46,0	58	14	1,55	13.03
H150, z=20	20	6F	80,85	79,48	87,0	62	/	46,0	58	14	1,66	14.26
H150, z=21	21	6F	84,89	83,52	91,0	65	/	46,0	58	14	1,87	15.93
H150, z=22	22	6F	88,94	87,56	94,0	68	/	46,0	58	14	2,07	16.47
H150, z=23	23	6F	92,98	91,61	97,0	72	/	46,0	58	14	2,28	18.04
H150, z=24	24	6F	97,02	95,65	102,0	72	/	46,0	58	14	2,50	19.76
H150, z=25	25	6F	101,06	99,69	106,0	72	/	46,0	58	14	2,71	21.55
H150, z=26	26	6F	105,11	103,73	112,0	80	/	46,0	58	14	2,99	23.56
H150, z=27	27	6F	109,15	107,78	115,0	80	/	46,0	58	14	3,15	24.12
H150, z=28	28	6F	113,19	111,82	120,0	80	/	46,0	58	14	3,39	26.05
H150, z=29	29	6F	117,23	115,86	120,0	80	/	46,0	58	14	3,57	27.94
H150, z=30	30	6F	121,28	119,90	128,0	80	/	46,0	58	14	3,86	29.92



Tip 6WF

\*\*\* Ostali modeli i dimenzije na upit

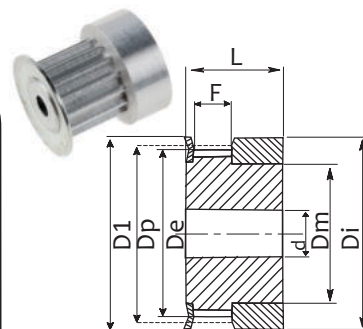
cene su bez PDV-a

Cene su podložne promenama - postoji mogućnost odobravanja rabata  
+381 18 226 364, 018 222 927, 064 89 00 735

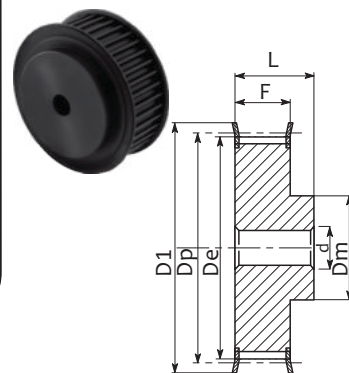
www.ami.rs

## HTD - M

Oznaka	Broj zuba	Tip	Širina kaiša	Dp	De	Df	Dm	F	L	d	Težina kg	Cena €/kom
HTD 3M-06, Z=010	10	1F	6	9,55	8,79	13,0	6,0	7,2	14,5	4	/	1.46
HTD 3M-09, Z=010	10	1F	9	9,55	8,79	13,0	6,0	10,2	17,5	4	0,004	1.46
HTD 3M-015, Z=010	10	1F	15	9,55	8,79	13,0	6,0	17,0	26	4	0,006	1.76
HTD 5M-09, Z=024	24	6F	9	38,20	37,06	42,0	27,0	14,5	22,5	6	0.15	2.45
HTD 5M-25, Z=024	24	6F	25	38,20	37,06	42,0	27,0	30,5	38,5	6	0.25	3.58
HTD 8M-30, Z=022	22	6F	30	56,02	54,65	60,00	43,00	38	48	12	0,69	7.16
HTD 8M-30, Z=024	24	6F	30	61,12	59,75	66,0	45,0	38	48	12	0.84	8.23
HTD 8M-30, Z=026	26	6F	30	66,21	64,84	70,0	48,0	38	48	12	1,00	9.38
HTD 8M-30, Z=028	28	6F	30	71,30	69,93	75,0	50,0	38	48	15	1,12	10.44
HTD 8M-30, Z=030	30	6F	30	76,39	75,02	83,0	55,0	38	48	15	1,32	11.84
HTD 8M-30, Z=032	32	6F	30	81,49	80,16	87,0	60,0	38	48	15	1,53	13.14
HTD 8M-30, Z=034	34	6F	30	86,58	85,22	91,0	70,0	38	48	15	1,80	14.71
HTD 8M-30, Z=036	36	6F	30	91,67	90,30	97,0	75,0	38	48	15	1,99	16.27
HTD 8M-30, Z=038	38	6F	30	96,77	95,39	102,0	75,0	38	48	15	2,27	17.87
HTD 8M-30, Z=040	40	6F	30	101,86	100,49	106,0	75,0	38	48	15	2,40	19.39
HTD 14M-55, Z=032	32	6F	55	142,60	139,88	154,0	100,0	70	85	24	7.60	55.29
HTD 14M-55, Z=040	40	6F	55	175,49	175,5	188,0	120,0	70	85	24	11.20	81.98
HTD 14M-55, Z=048	48	6F	55	211,11	211,1	226,0	135,0	70	70	24	13.70	108.03



Tip 1F

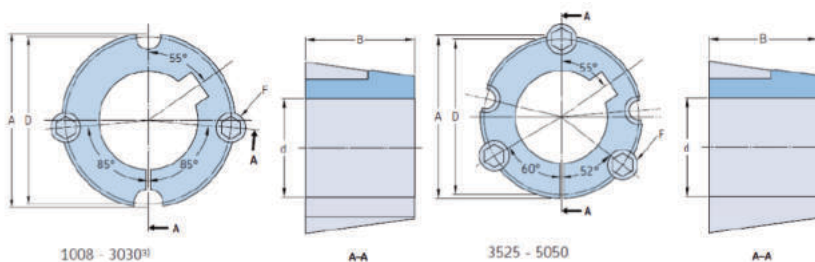


Tip 6F

\*\*\* Ostali modeli i dimenzije na upit

## SKF KONUSNE ČAURE

Ovlašćeni distributer za Srbiju



Model	Precnik	A (mm)	B (mm)	D (mm)	F (mm)	Masa kg.	Cena €/kom
TB 1008 x precnik osovine	9, 10, 11, 12, 14, 15, 16, 18, 19, 20, 22, 24, 25	35.2	22.2	33.7	6,350x12,700	0.05	2.58
TB 1108 x precnik osovine	9, 10, 11, 12, 14, 15, 16, 18, 19, 20, 22, 24, 25, 28	38.4	22.2	36.9	6,350x12,700	0.08	2.93
TB 1210 x precnik osovine	11, 12, 14, 15, 16, 18, 19, 20, 22, 24, 25, 28, 30, 32	47.6	25.4	44.5	9,525x15,875	0.19	3.84
TB 1215 x precnik osovine	11, 12, 14, 15, 16, 18, 19, 20, 22, 24, 25, 28, 30, 32	47.6	38.1	44.5	9,525x15,875	0.27	4.61
TB 1610 x precnik osovine	12, 14, 15, 16, 18, 19, 20, 22, 24, 25, 28, 30, 32, 35, 38, 40, 42	57.2	25.4	54.0	9,525x15,875	0.31	4.71
TB 1615 x precnik osovine	14, 15, 16, 18, 19, 20, 22, 24, 25, 28, 30, 32, 35, 38, 40, 42	57.2	38.1	54.0	9,525x15,875	0.46	5.36
TB 2012 x precnik osovine	14, 15, 16, 18, 19, 20, 22, 24, 25, 28, 30, 32, 35, 38, 40, 42, 45, 48, 50	69.9	31.8	66.7	11,113x22,225	0.65	5.65
TB 2017 x precnik osovine	25, 28, 30, 32, 35, 38, 40, 42, 45, 48, 50	69.9	44.5	66.7	11,113x22,225	0.91	8.53
TB 2517 x precnik osovine	16, 18, 19, 20, 22, 24, 25, 28, 30, 32, 35, 38, 40, 42, 45, 48, 50, 55, 60, 65	85.7	44.5	82.6	12,700x25,400	1.47	8.79
TB 3020 x precnik osovine	25, 28, 30, 32, 35, 38, 40, 42, 45, 48, 50, 55, 60, 65, 70, 75	108.0	50.8	101.6	15,875x31,750	2.25	13.66
TB 3030 x precnik osovine	35, 38, 40, 42, 45, 48, 50, 55, 60, 65, 70, 75	108.0	76.2	101.6	15,875x31,750	3.25	19.58
TB 3525 x precnik osovine	35, 38, 40, 42, 45, 48, 50, 55, 60, 65, 70, 75, 80, 85, 90, 95, 100	127.0	63.5	123.0	12,700x38,100	4.23	24.75
TB 3535 x precnik osovine	35, 38, 40, 42, 45, 48, 50, 55, 60, 65, 70, 75, 80, 85, 90	127.0	89.0	123.0	12,700x38,100	5.78	32.33
TB 4030 x precnik osovine	40,42, 45, 48, 50, 55, 60, 65, 70, 75, 80, 85, 90, 95, 100, 105, 110, 115	146.0	76.2	141.0	15,875x44,450	7.00	42.58
TB 4040 x precnik osovine	40, 42, 45, 48, 50, 55, 60, 65, 70, 75, 80, 85, 90, 95, 100, 105, 110	146.0	102.0	141.0	15,875x44,450	9.20	50.67
TB 4535 x precnik osovine	55, 60, 65, 70, 75, 80, 85, 90, 95, 100, 105, 110, 115, 120	161.0	89.0	156.0	19,050x50,800	9.10	59.17
TB 4545 x precnik osovine	55, 60, 65, 70, 75, 80, 85, 90, 95, 100, 105, 110	161.0	114.0	156.0	19,050x50,800	11.80	62.54
TB 5040 x precnik osovine	70, 75, 80, 85, 90, 95, 100, 105, 110, 120, 125, 130	178.0	101.6	171.0	22,255x57,150	12.26	79.58
TB 5050 x precnik osovine	65, 70, 75, 80, 85, 90, 95, 100, 105, 110, 120, 125	178.0	127.0	171.0	22,255x57,150	15.18	92.5

cene su bez PDV-a

Cene su podložne promenama - postoji mogućnost odobravanja rabata  
+381 18 226 364, 018 222 927, 064 89 00 735

www.ami.rs